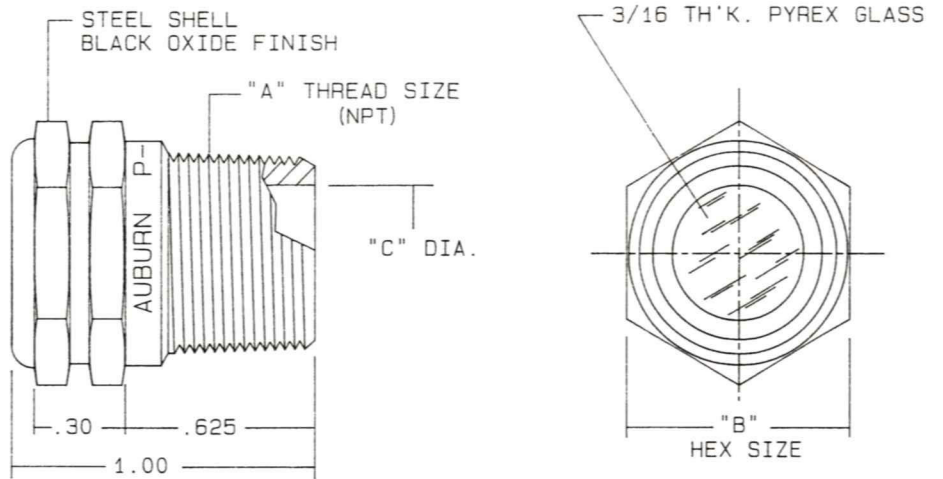


## Observation Ports

SL Auburn observation ports offer unitized cico-weld construction with no organic gasket. Their one-piece design is compact, inexpensive, and leakproof at high temperatures and pressures.

They're available in four standard sizes.



Catalog Number	"A" Thread Size	"B" Hex Size	"C" Diameter	Maximum Operating Pressure	Maximum Operating Temperature
P-38	3/8"-18	3/4"	7/16"	350 PSI	400° F
P-50	1/2"-14	7/8"	5/8"	275 PSI	400° F
P-75	3/4"-14	1-1/8"	3/4"	200 PSI	400° F
P-100	1"-11-1/2	1-3/8"	1"	150 PSI	400° F

Note: Other designs are available including a quartz lens and straight mounting threads in lieu of NPT.

